

GENERAL TECHNICAL CHARACTERISTICS

- Dielectric : Polypropylene film
- Construction : Dry construction, filled by solid resin
Non-inductive type
- Case : Aluminium case
- Leads : Tinned insert M6 or M8 fillde with resin

ELECTRICAL CHARACTERISTICS

- Working teGperature : - 40 to + 85 °C
- Capacitance : 33to 3200µF
- Rated Voltage : 700~4000Vdc
- Tolerance : ± 5%, ± 10%
- Dissipation factor: Geasured at 1000±20 Hz AND 25±5°C.
When $C_r \leq 1.0\mu F$, 4×10^{-4} ;
When $C_r > 1.0\mu F$, 6×10^{-4}
- Life expectancy: 100,000 hours at U_n and 70°C
(Hotspor temperature)

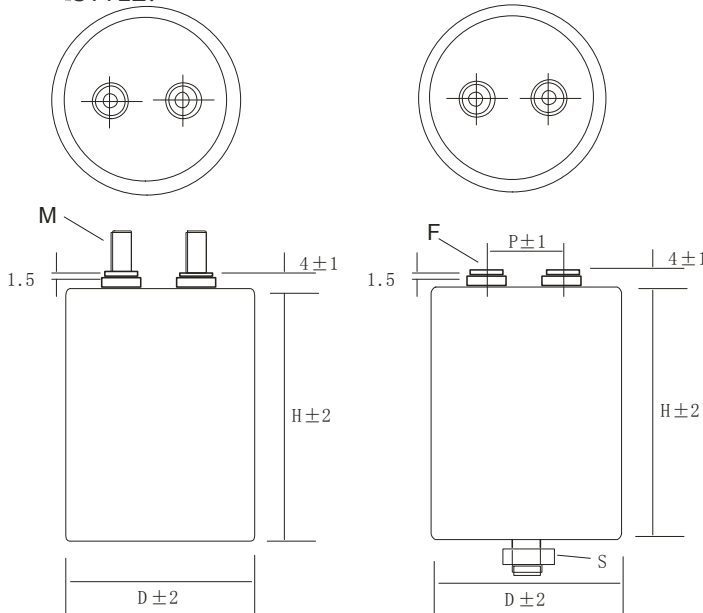
TEST GETHODS AND PERFORGANCES

- Dielectric strength: $1.5U_r$ (DC) applied for 10s at 25±5°C
(1 Ginute for type test)
- Test voltage terminal to case :3000Vac,(10s 50Hz 20± 5°C)
- Insulation resistance : 3000s but need not exceed $30G\Omega$
(typical value), after 1 Ginute of electrification at 100Vdc (25±5°C)



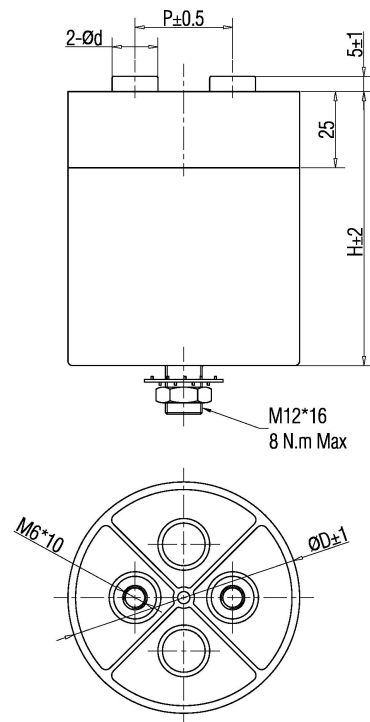
Outline drawing

STYLE:



Clamp mounting

Stud mounting



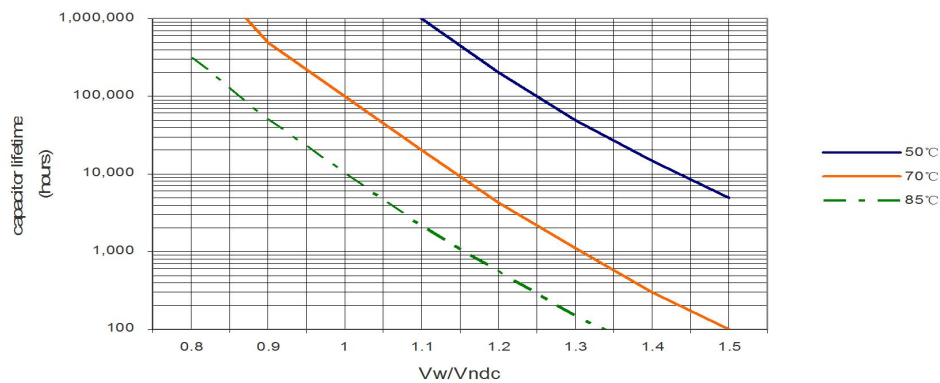
Stud mounting

D (mm)	Out put						Stud mounting	
	F	Torque	M	Torque	P (mm)	T(mm)	S	Torque
76	M6×10	4.5 N.M Max	M8×20	8.5 N.M Max	32	15	M12×16	8 N.M Max
86	M6×10	4.5 N.M Max	M8×20	8.5 N.M Max	32	15	M12×16	8 N.M Max
116	M6×10	4.5 N.M Max	M8×20	8.5 N.M Max	50	15	M12×16	8 N.M Max
136	M6×10	4.5 N.M Max	M8×20	8.5 N.M Max	50	16	M12×16	8 N.M Max

PROTECTION AGAINST OVERVOLTAGES

1.1 × Un	30% of the service period
1.15 × Un	30 min/d
1.2 × Un	5 min/d
1.3 × Un	1 min/d
1.5 × Un	100 ms no more than 1000 times

EXPECTED LIFE



Electrical specifications, ordering codes

Part Number	Cap (µF)	D (mm)	H (mm)	Ipeak (KA)	Irms@25°C @10kHz (A)	ESR@ 1.0kHz (mΩ)	Ls (nH)	Rth (k/W)	Wn (Ws)	
		Un 700V.DC			Us 1050V	Ur 150V				
DHE700K430-#	430	76	125	3.4	62	1.1	40	3.7	105	
DHE700K450-#	450	76	120	1.8	34	3.5	62	3.9	110	
DHE700K520-#	520	76	145	3.1	62	1.3	45	3.2	127	
DHE700K570-#	570	86	125	4.6	73	0.9	40	3.3	140	
DHE700K600-#	600	86	120	2.4	41	2.7	60	3.5	147	
DHE700K650-#	650	76	175	3.3	63	1.5	50	2.7	159	
DHE700K700-#	700	86	145	4.2	74	1.0	45	2.9	172	
DHE700K890-#	890	86	175	4.5	76	1.2	50	2.4	218	
DHE700K900-#	900	76	225	3.6	65	1.9	60	2.0	221	
DHE700K1150-#	1150	116	125	4.6	55	1.5	60	2.9	282	
DHE700K1200-#	1200	86	225	4.8	78	1.4	60	1.8	294	
DHE700K1350-#	1350	116	150	8.1	92	0.6	45	2.5	331	
DHE700K1700-#	1700	116	180	8.5	93	0.7	50	2.1	417	
DHE700K2400-#	2400	116	230	9.6	93	0.9	60	1.7	588	
DHE700K3200-#	3200	136	230	12.8	102	0.7	60	1.5	784	
		Un 900V.DC			Us 1350V	Ur 200V				

DHE900K370-##	370	76	125	3.3	59	1.2	40	3.7	150
DHE900K390-##	390	76	120	1.6	33	3.7	60	3.9	158
DHE900K450-##	450	76	145	3.2	62	1.4	45	3.2	182
DHE900K490-##	490	86	125	4.4	71	0.9	40	3.3	198
DHE900K520-##	520	86	120	2.1	39	2.8	60	3.5	211
DHE900K570-##	570	76	175	3.4	61	1.6	50	2.7	231
DHE900K600-##	600	86	145	4.2	71	1.1	45	2.9	243
DHE900K750-##	750	86	175	4.5	73	1.3	50	2.4	304
DHE900K780-##	780	76	225	3.1	63	2.0	60	2.0	316
DHE900K1000-##	1000	116	125	4.0	54	1.5	60	2.9	405
DHE900K1050-##	1050	86	225	4.2	76	1.5	60	1.8	425
DHE900K1100-##	1100	116	150	7.7	89	0.7	45	2.5	446
DHE900K1450-##	1450	116	180	8.7	90	0.7	50	2.1	587
DHE900K2000-##	2000	116	230	8.0	92	0.9	60	1.7	810
DHE900K2750-##	2750	136	230	11.0	100	0.8	60	1.5	1114
		Un 1100V.DC			Us 1650V		Ur 250V		
DHE1100K250-##	250	76	120	1.5	32	4.6	60	3.9	151
DHE1100K330-##	330	86	120	2.0	36	3.6	60	3.5	200
DHE1100K370-##	370	86	130	1.9	36	3.8	60	3.2	224
DHE1100K400-##	400	86	145	4.0	67	1.2	45	2.9	242
DHE1100K420-##	420	86	155	4.2	69	1.3	45	2.7	254
DHE1100K500-##	500	86	175	4.0	67	1.5	50	2.4	303
DHE1100K650-##	650	116	125	3.9	49	1.9	60	2.9	393
DHE1100K680-##	680	86	225	4.1	69	1.8	60	1.8	411
DHE1100K730-##	730	116	150	7.3	82	0.8	45	2.5	442
DHE1100K900-##	900	136	125	5.4	54	1.4	60	2.5	545
DHE1100K920-##	920	116	180	7.4	82	0.9	50	2.1	557
Part Number	Cap (µF)	D (mm)	H (mm)	Ipeak (KA)	Irms max. (A)	ESR (mΩ)	Ls (nH)	Rth (kW)	Wn (Ws)
		Un 1100V.DC			Us 1650V		Ur 250V		
DHE1100K1250-##	1250	116	230	7.5	84	1.1	60	1.7	756
DHE1100K1700-##	1700	136	230	10.2	90	0.9	60	1.5	1029
DHE1100K1900-##	1900	136	260	15.2	120	0.5	50	1.3	1150
DHE1100K2550-##	2550	136	335	15.3	120	0.6	60	1.0	1543
		Un 1300V.DC			Us 1950V		Ur 250V		
DHE1300K170-##	170	76	120	1.4	27	5.6	60	3.9	144
DHE1300K230-##	230	86	120	1.8	33	4.2	60	3.5	194
DHE1300K330-##	330	86	175	3.3	61	1.8	50	2.4	279
DHE1300K450-##	450	116	125	3.6	45	2.3	60	2.9	380
DHE1300K470-##	470	86	225	3.8	64	2.2	60	1.8	397
DHE1300K500-##	500	116	150	6.5	76	0.9	45	2.5	423
DHE1300K630-##	630	136	125	5.0	50	1.7	60	2.5	532
DHE1300K640-##	640	116	180	6.4	77	1.0	50	2.1	541
DHE1300K850-##	850	116	230	6.8	77	1.3	60	1.7	718
DHE1300K900-##	900	136	180	9.0	84	0.8	50	1.9	761
DHE1300K1200-##	1200	136	230	9.6	84	1.0	60	1.5	1014
DHE1300K1350-##	1350	136	260	13.5	114	0.6	50	1.3	1141
DHE1300K1800-##	1800	136	335	14.4	119	0.7	60	1.0	1521
		Un 1900V.DC			Us 2850V		Ur 400V		
DHE1900K100-##	100	86	120	1.4	27	6.3	60	3.5	181

DHE1900K150-##	150	86	175	2.9	51	2.6	50	2.4	271
DHE1900K190-##	190	116	125	2.7	36	3.4	60	2.9	343
DHE1900K200-##	200	86	225	2.8	52	3.3	60	1.8	361
DHE1900K220-##	220	116	150	5.5	65	1.2	45	2.5	397
DHE1900K275-##	275	136	125	3.9	41	2.4	60	2.5	496
DHE1900K280-##	280	116	180	5.3	64	1.5	50	2.1	505
DHE1900K380-##	380	116	230	5.3	65	1.8	60	1.7	686
DHE1900K400-##	400	136	180	7.6	71	1.1	50	1.9	722
DHE1900K540-##	540	136	230	7.6	72	1.3	60	1.5	975
DHE1900K600-##	600	136	260	11.4	99	0.8	50	1.3	1083
DHE1900K800-##	800	136	335	11.2	102	1.0	60	1.0	1444
		Un 2500V.DC		Us 3750V		Ur 600V			
DHE2500K95-##	95	116	130	1.5	43	2.5	40	2.8	297
DHE2500K130-##	130	136	130	2.1	47	1.9	40	2.4	406
DHE2500K200-##	200	116	230	1.6	42	4.4	60	1.7	625
DHE2500K280-##	280	136	230	2.2	46	3.2	60	1.5	875
		Un 3600V.DC		Us 5400V		Ur 800V			
DHE3600K42-##	42	116	130	1.3	35	3.7	40	2.8	272
DHE3600K60-##	60	136	130	1.8	40	2.7	40	2.4	389
DHE3600K88-##	88	116	230	1.2	34	6.6	60	1.7	570
DHE3600K125-##	125	136	230	1.8	38	4.7	60	1.5	810
		Un 4000V.DC		Us 6000V		Ur 900V			
DHE4000K33-##	33	116	130	1.2	33	4.2	40	2.8	264
DHE4000K47-##	47	136	130	1.6	37	3.0	40	2.4	376
DHE4000K70-##	70	116	230	1.2	32	7.4	60	1.7	560
DHE4000K100-##	100	136	230	1.7	36	5.3	60	1.5	800

Part Numbering System :

DHE1100K420 – FS " F " = F for Internal thread, M for lead screw " S " = C for clamp, S for stud mounting

How to Order:

DHE – 1100 - 420 F M8

